



- **Standard Analogue phone or VoIP phone**
- **Robust housing, constructed of robust cold-rolled steel(CRS)**
- **Vandal resistant armored cord handset**
- **Full rugged & durable keypad**
- **Wall mounting, simple installation**
- **Weather proof protection IP65**
- **External Power supply or PoE (SIP phone)**
- **Inductive coupler fitted as standard for hard of hearing**
- **CE, FCC,RoSH compliant**

The Handset Telephone is designed to meet the needs of client who experience loss through vandalism. Ideal for parking lots, prisons, railway/metro platforms, hospitals, police stations, ATM machines, stadiums, outside building etc.

Housed in cold rolled steel box and manufactured to a high standard, these telephones offer increased resistance to vandalism, and ensure that the primary function of communications is maintained at all times.

Extremely easy to install. The cable entrance is on the back of the phone to prevent from artificial damage, while the keypad is weather and vandal resistant.

Standard Analogue

As a standard analogue telephone, this unit provides basic telephone functions and can be connected to any standard two-wire telephone line, including analogue PABX lines and PSTN.

SIP-VoIP TECHNICAL SPECIFICATIONS

Power Input:

12-24V DC

Port:

WAN: 10/100Base- T RJ-45 for LAN, Auto MDIX
LAN: 10/100Base- T RJ-45 for PC, Auto MDIX

Power Consumption:

Idle:1.5W/ Active:1.8W

Voice Features

- Support SIP 2.0 (RFC3261)
- Codec: G.711A/u, G.7231 high/low, G.729, G.722
- Echo cancellation: Support G.168 and hand-free can support 96ms
- Supports full duplex
- SIP support SIP domain, SIP authentication(none, basic,MD5),DNS name of server
- DTMF:SIP info, DTMF Relay, RFC2833
- Call control features: Flexible dial map, support hot-line

Network Features

- WAN/LAN: support Bridge mode
- Support static IP address
- Support DHCP get IP on WAN port
- Support VLAN
- Support web config

TECHNICAL SPECIFICATIONS
Casing Material

Robust Cold-rolled steel body(CRS)

Handset Material

ABS material handset with stainless steel spiral cord.

Keypad

Weather sealed tactile digital keypad.
Chrome key and frame made of zinc alloy.
Vandal resistance.

Colors

Color Optional, Gray as standard,

Temperature

Operating: -30°C to +65°C

Storing: -40°C to +75°C

Weather Resistance

IP65

Ring Tone

Shrill warble tone 85 dBA @ 1 metre typical

Hook switch

Electronic / magnetic with no visible moving parts

M.T.B.F.

Calculated to have an M.T.B.F. in excess of 50,000 hours using

Weight

Up to 4 kg depending on option

ANALOGUE
Dialing

MF (tone)

Power supply

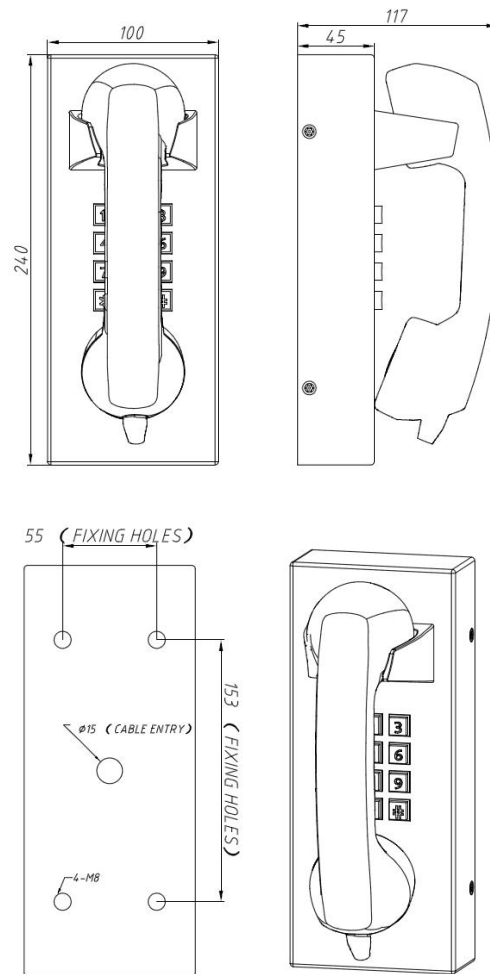
Drawn from telephone line

Lightning / Transients

Protection to ITU-T k.21 enhanced levels

Programming

Can be programmed by keypad or by tone phone remotely

DIMENSIONS:


(Measured in mm)

APPROVALS


This mark indicates compliance with the:
Radio & Telecommunications Terminal Equipment
Directive
2004/108/EC



This mark indicates compliance with the:
FCC Part 15 Subpart B Class B

unit size: 240 *100 *106(mm)

Carton size:340 *235 *165(mm)

Packaging materials: pearl cotton, carton

Net weight: 2.7KG Net weight: 2.7KG

Gross weight: 3KG