



- **Standard Analogue phone or VoIP phone**
- **Robust housing, constructed of cold rolled steel or stainless steel**
- **Vandal resistant handset and armored cord**
- **Magnetic reed hook switch**
- **Auto dial, easy to operate**
- **Desk mounting, simple installation**
- **Weather proof protection from IP55 to IP65**
- **Phone line powered(Analogue)**
- **DC powered or PoE (VoIP)**
- **Inductive coupler fitted as standard for hard of hearing**
- **CE, FCC,RoSH compliant**

The Handset Telephone is designed to meet the needs of client who experience loss through vandalism. Ideal for parking lots, prisons, railway/metro platforms, hospitals, police stations, ATM machines, stadiums, outside building etc. Housed in steel box and manufactured to a high standard, these telephones offer increased resistance to vandalism, and ensure that the primary function of communications is maintained at all times.

Extremely easy to install. The cable entrance is on the back of the phone to prevent from artificial damage, while the keypad is weather and vandal resistant.

#### **Standard Analogue**

As a standard analogue telephone, this unit provides basic telephone functions and can be connected to any standard two-wire telephone line, including analogue PABX lines and PSTN.

#### **SIP-VoIP TECHNICAL SPECIFICATIONS**

##### **Power Input:**

12-24V DC

##### **Port:**

WAN: 10/100Base- T RJ-45 for LAN, Auto MDIX  
LAN: 10/100Base- T RJ-45 for PC, Auto MDIX

##### **Power Consumption:**

Idle:1.5W/ Active:1.8W

##### **Voice Features**

- Support SIP 2.0 (RFC3261)
- Codec: G.711A/u, G.7231 high/low, G.729, G.722
- Echo cancellation: Support G.168 and hand-free can support 96ms
- Supports full duplex
- SIP support SIP domain, SIP authentication(none, basic,MD5),DNS name of server
- DTMF:SIP info, DTMF Relay, RFC2833
- Call control features: Flexible dial map, support hot-line

##### **Network Features**

- WAN/LAN: support Bridge mode
- Support static IP address
- Support DHCP get IP on WAN port
- Support VLAN
- Support web config

**TECHNICAL SPECIFICATIONS**
**Casing Material**

Stainless steel steel body

**Handset Material**

ABS material handset with stainless steel spiral cord.

**Temperature**

Operating: -30°C to +65°C

Storing: -40°C to +75°C

**Weather Resistance**

IP55-IP65

**Ringling Tone**

Shrill warble tone 80 dBA @ 1 metre typical

**Hook switch**

Electronic / magnetic with no visible moving parts

**M.T.B.F.**

Calculated to have an M.T.B.F. in excess of 50,000 hours using

**Weight**

Up to 4 kg depending on option

**ANALOGUE**
**Dialing**

MF (tone)

**Power supply**

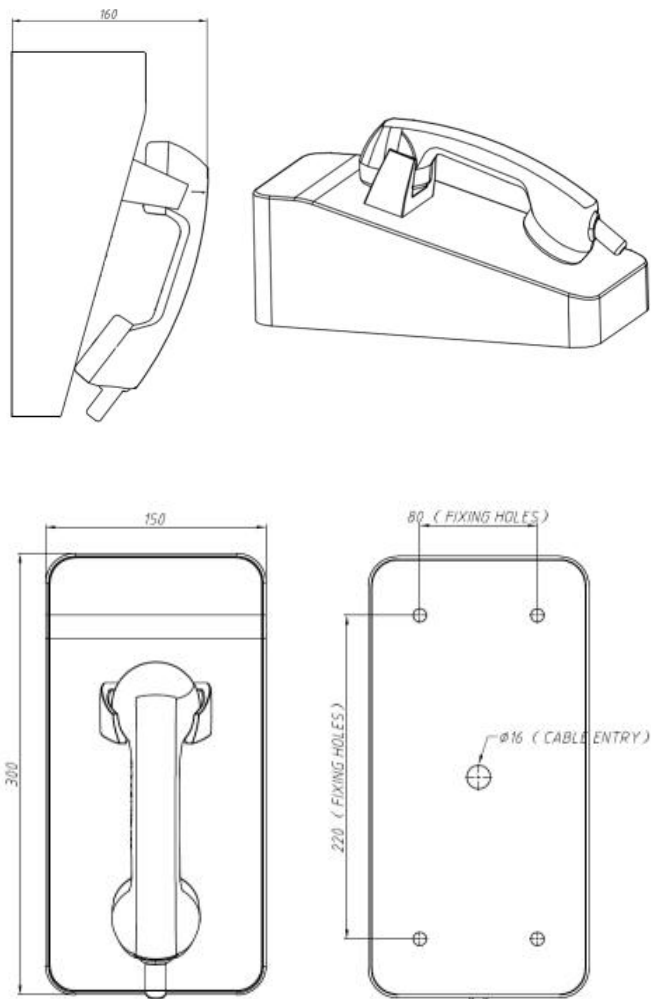
Drawn from telephone line

**Lightning / Transients**

Protection to ITU-T k.21 enhanced levels

**Programming**

Can be programmed by keypad or by tone phone remotely

**DIMENSIONS:**


(Measured in mm)

**APPROVALS**


This mark indicates compliance with the:  
Radio & Telecommunications Terminal Equipment  
Directive  
2004/108/EC



This mark indicates compliance with the:  
FCC Part 15 Subpart B Class B

**PACKAGE**

unit size: 300 \*150 \*160(mm)

Packaging materials: pearl cotton, carton

Net weight: 3KG Gross weight: 4KG